

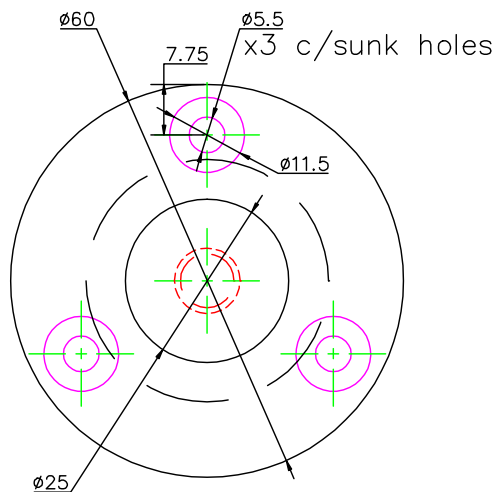
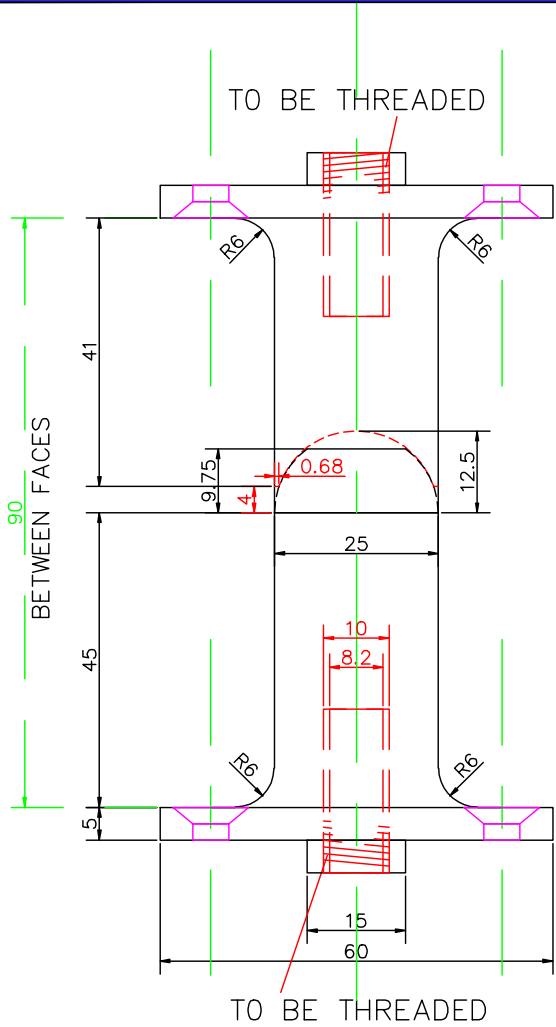
# OASIS

TEL, 01723 865557  
 E-Mail info@oasiseventdoor.co.uk  
 www.oasiseventdoor.co.uk

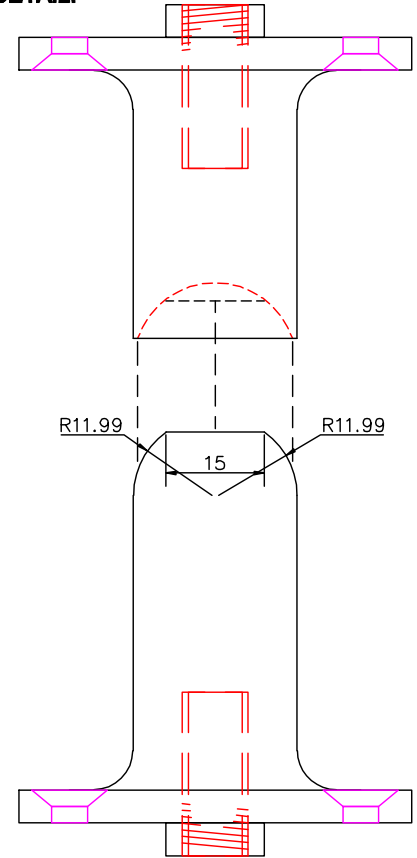
EVENT DOOR LTD.

CHARM PARK  
 WYKEHAM  
 SCARBOROUGH  
 NORTH YORKSHIRE  
 YO13 9QU

**COPYRIGHT NOTICE:**  
 This drawing is issued on the understanding that the copyright is to be regarded as confidential, and the property of OASIS EVENT DOOR LIMITED. It must NOT be reproduced in any way electronically, hardcopy, or otherwise without prior written consent of the said company.



**EXPLODED DETAIL:**



SPECIFIED FINISH		-: (SEE DWG FOR DIMS)	
TICK AS APT:	<input checked="" type="checkbox"/> DETAILS	TICK AS APT:	<input checked="" type="checkbox"/> SPEC;
ANODIZED	SPECIFY	-	-
POWDERCOAT	SPECIFY	-	-
GALVANIZED	SPECIFY	-	-

**DRAWN by:** RB.  
**VPORT SCALE:** 1:1  
**DATE:** 16/1/2015  
**CUSTOMER SIGNATURE:**

**DWG TITLE:**  
**DOOR STACKING CASTING (DeWEERD)**

**IMPORTANT:** PLEASE READ NOTICE BELOW BEFORE SIGNING THIS DWG  
 BY SIGNING THIS DRAWING THE CUSTOMER IS ASSUMED TO AGREE WITH ANY DIMENSION, MATERIAL, COLOUR, OR SHOWN ON THE ILLUSTRATION.